



## Gemini Access

### AC-020 - 500 User Two Door Controller



#### FEATURES

- 500 Users per door
- Request To Exit (RTE) Input per door
- Supports two 26 bit Wiegand Readers (Reader In/RTE Out per door)
- Tamper Alarm
- Built in Bell Feature
- Three modes of operation
  - Normal
  - Bypass
  - Secure
- Programmable Bell time
- Programmable lock release time
- CE, UL and FCC approved

#### SPECIFICATIONS

##### Electrical Characteristics

**Operating Voltage:**

16/24V AC or 12/24V DC

**Input Current @ 12V DC:**

Standby: 100mA

Max: 1.2A

**Lockstrike Outputs:**

Programmable Output NC (fail-safe) or NO (fail-secure) rated at 12V DC @ 600mA

**Inputs:**

REX Normally Open Dry Contact

##### Environmental Characteristics:

**Operating Temperature Range:**

0 ° C to 50 ° C

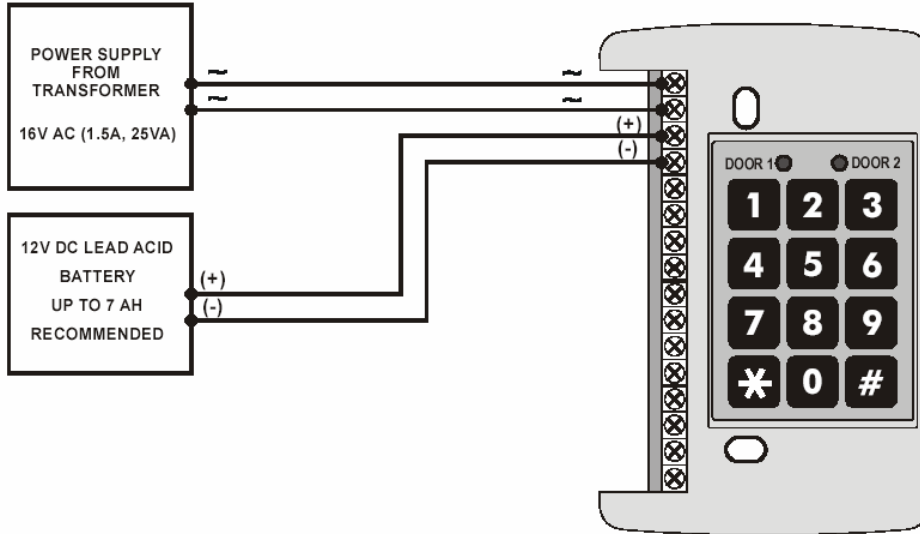
**Humidity:**

0 – 95% (non-condensing)  
Internal applications only

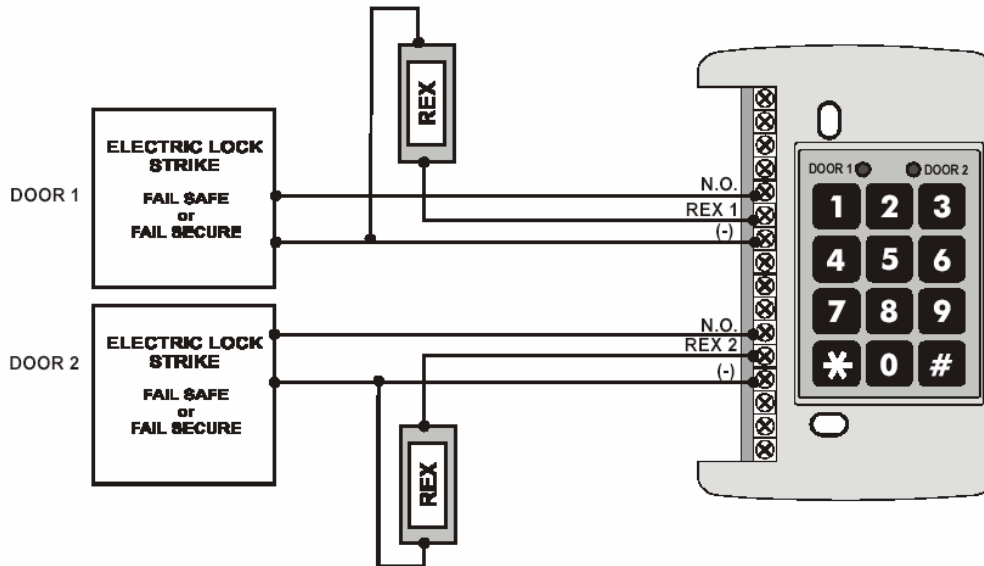
**Dimensions:**

134mm L x 85mm W x 30mm D

# Power Wiring



# Typical Lock and Option Wiring



# Reader Wiring

